

A

B

C

D

E

1

2

3

4

5

6

1

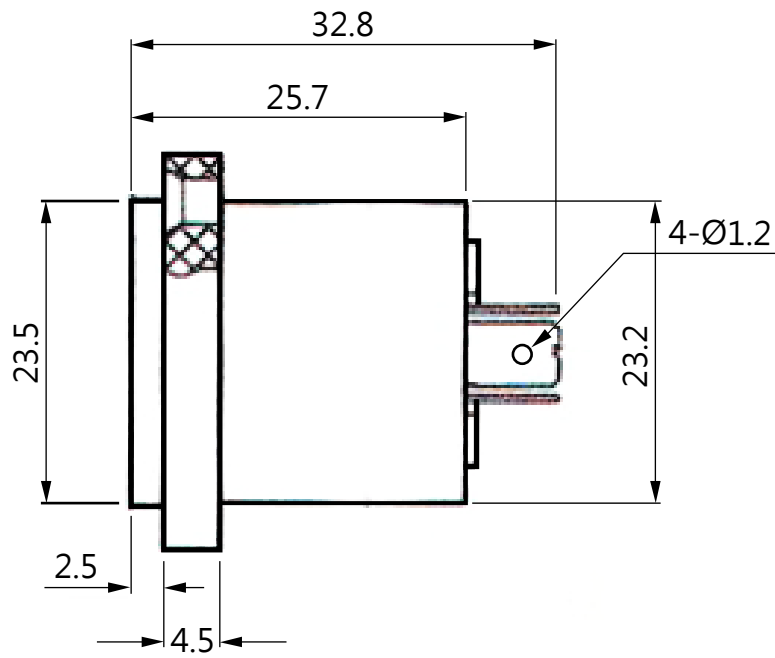
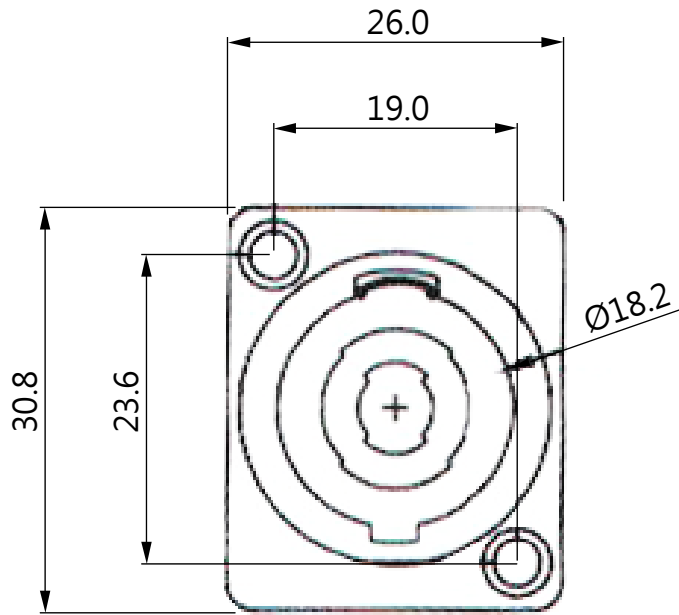
2

3

4

5

6



大廣有限公司 DA KOANG CO., LTD.

DATE

DWN

CHKD

APVD

MANAGER

12.08.2005

PART NAME: 4P MALE SPEAKER CONNECTOR

PART NUMBER: 1406

VERSION: 2.0

TOLERANCE : ±0.3mm UNLESS OTHERWISE SPECIFIED

UNIT: mm



SCALE:

A

B

C

D

E

7

7