

大 廣 有 限 公 司 DA KOANG CO., LTD.

FEATURES

- 20A continuous contact rating at 85°
- 1A (1PST) and 1C (1PDT) contact arrangement
- Small size (20.5x15x22mm) with high performance
- Using at air conditioner, electrical heater, remote-controlled TV, automatic control and household electric devices.



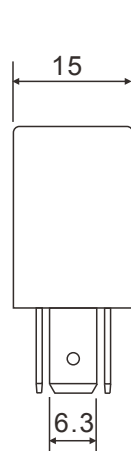
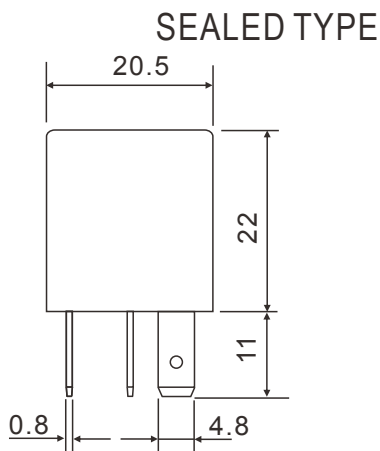
CONTACT RATING

1 FORM C (SPDT)	Resistive (Cos.θ = 1)	NO:DC 14V / 20A	NC:DC 14V / 10A
-----------------	-----------------------	-----------------	-----------------

COIL DATA(1.5W, at 25°C)

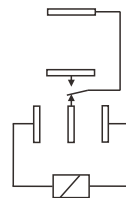
Coil Nominal Voltage (VDC)	Resistance Tol. 10% (Ohms)	Nominal Current (mA)	Maximum Pick Up Voltage (V)	Minimum Drop Out Voltage (V)
33427 12V	96	122	8.4	1.2
33427A 24V	384	61.7	16.8	2.4

DIMENSIONS(±0.2mm)



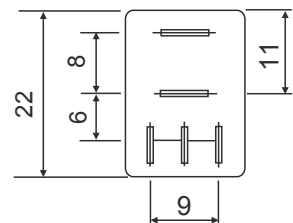
WIRING DIAGRAM (BOTTOM VIEW)

1 Form C



P.C.B LAYOUT (BOTTOM VIEW)

1 Form C



GENERAL DATA

Insulation Resistance	50 MΩ Min. (DC 500V)
Dielectric Strength	500 VAC, 50/60Hz between contact.
	500 VAC, 50/60Hz between all elements.
Contact Material	Ag Alloy.
Contact Resistance	100 milliohms max. (initial value)
Shock Resistance	Malfunction: 10G(11ms) ; Destructive: 100G(6ms)
Vibration Resistance	Malfunction: 10 to 55 Hz. at Double Amplitude of 1.5 mm
	Destructive: 10 to 55 Hz. at Double Amplitude of 1.5 mm
Operation Time	10 ms max.
Release Time	10 ms max.
Temperature Range	- 40°C ~ + 85°C
Expected Life	With operation rate 30/min.
	Mechanical - 10,000,000 operations min.
	Electrical - 100,000 operations min. at rated load.
Weight	20 grams