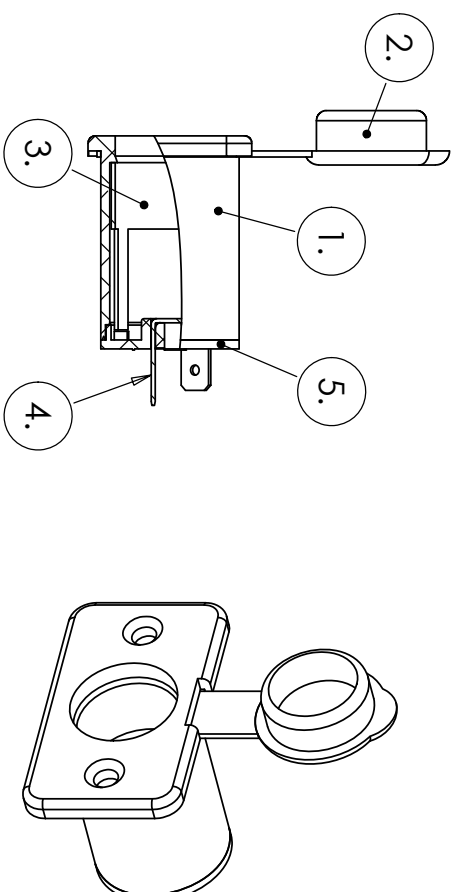


·Economical DC power outlet
 ·Panel and rubber cap included
 ·0.250" quick connect terminals
 ·Amp Rating : 15A 大 廣 有 限 公 司 DA KOANG CO., LTD.



NO.	Part Name	Material	Note
1.	Casing	Nylon6	
2.	Cover	PVC	
3.	Inner Tube(-)	Brass	Nickel Plated
4.	Terminal(+)	Brass	Nickel Plated
5.	Buttom Plate	Nylon6	

Modify	Date	Revision	Approval	No.	Item#	Part#	Rev.
					2072B		0
Title Cigarette Lighter Socket Part Mat'l Finish Auth CHK Matt DWG Derek Date 2012.12.11 Proj. 3rd							
Size	0.5-6	>6-30	>30-120	>120-400			
Tol	+/-0.05	+/-0.1	+/-0.15	+/-0.2			