

A

B

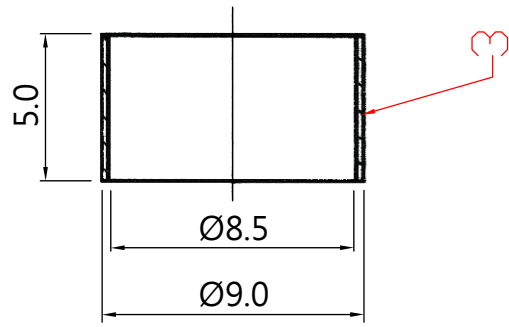
C

D

E

1

1

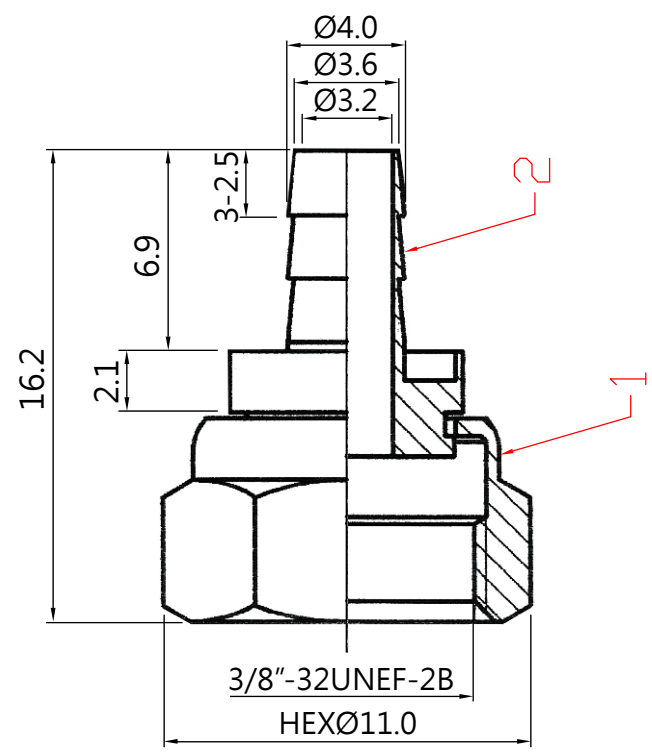


2

2

3

3



4

4

5

5

6

6

NO	Nane	Material	Plating
1	Nut	Zinc	Nickel
2	Shell	Brass	Nickel
3	Tube	Brass	Nickel

大廣有限公司 DA KOANG CO., LTD.

DATE	DWN	CHKD	APVD	MANAGER
------	-----	------	------	---------

12.08.2005

7

7

PART NAME: F MALE CRIMP TYPR RG58U	PART NUMBER: 1165A	VERSION:2.0
------------------------------------	--------------------	-------------

TOLERANCE :±0.3mm UNLESS OTHERWISE SPECIFIED	UNIT:mm		SCALE:
--	---------	--	--------

A

B

C

D

E