

A

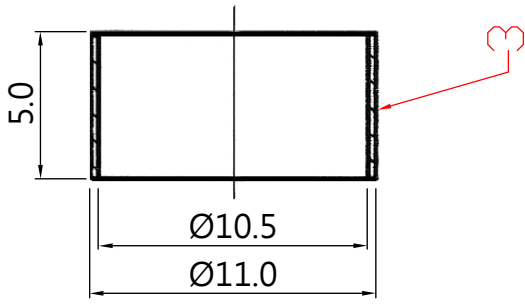
B

C

D

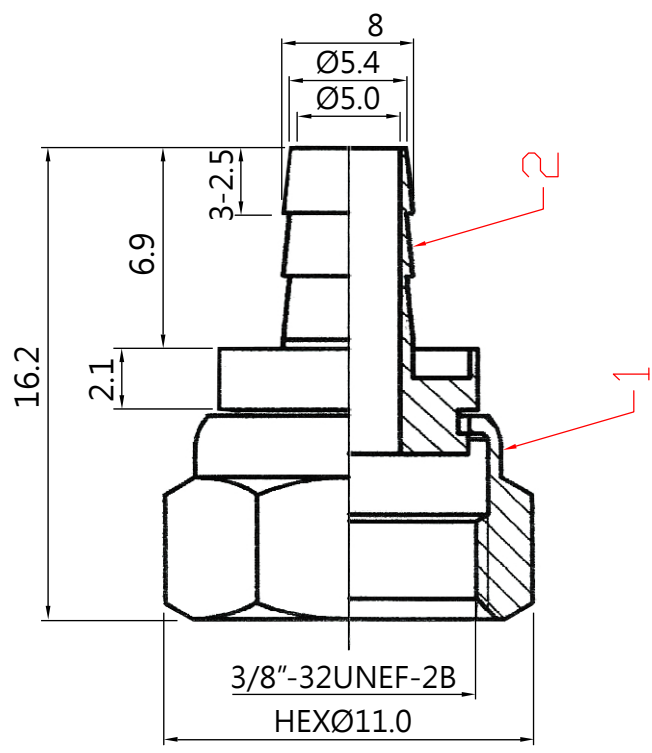
E

1



2

3



4

5

6

NO	Nane	Material	Plating
1	Nut	Zinc	Nickel
2	Shell	Brass	Nickel
3	Tube	Brass	Nickel

大廣有限公司 DA KOANG CO., LTD.

DATE	DWN	CHKD	APVD	MANAGER
------	-----	------	------	---------

12.08.2005

7

PART NAME: F MALE CRIMP TYPR RG6U

PART NUMBER: 1165C

VERSION:2.0

TOLERANCE :±0.3mm UNLESS OTHERWISE SPECIFIED

UNIT:mm



SCALE:

A

B

C

D

E

1

2

3

4

5

6

7