

按钮开关

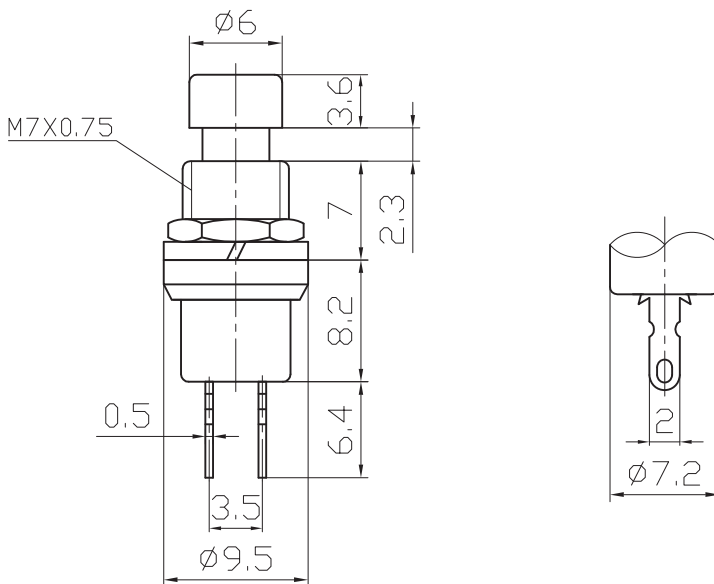
Push-Button Switch

型号(TYPE): 5004A

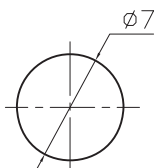
技术特性 (Specification)

1. 规格 (RATING): 3A 125V AC; 1A 250V AC
2. 接触电阻(Contact R): 20mΩ max
3. 绝缘电阻(Insulation R): 500V DC 100MΩ min
4. 耐电压 (Dielectric Strength): 1 Minute 1000V AC
5. 操作温度(Operating Temperature): -25°C ~ +85°C
6. 电气寿命(Electrical Life): 50,000 Cycles

外型图 (Outline Drawing)



安装尺寸 (Mounting)



电路图 (Circuitry)

