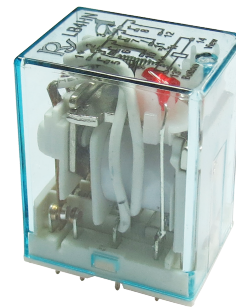


## FEATURES

- High performance power relay
- PCB terminal and solder lug terminal and flanged case are available
- LED version is available
- UL, CUL, TUV, and CE approved
- Using at control equipment, vending machines, cooking appliances, office machine, domestic appliances, etc.



UL FILE NO.: E131959  
 CUL FILE NO.: E131959  
 TUV FILE NO.: R09956267

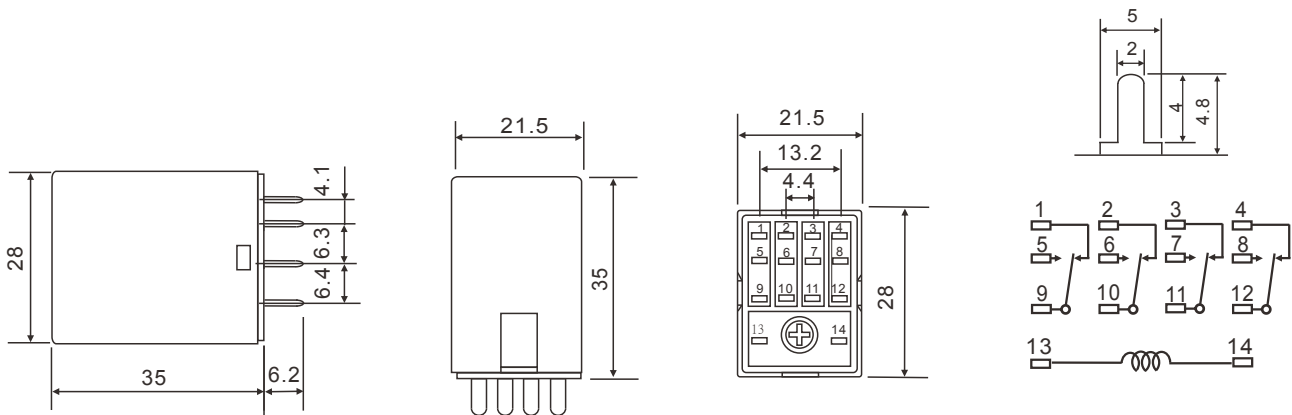
## COIL DATA(at 25°C)

AC 1.2VA				DC 0.9-1.1W				
Coil Nominal Voltage (50/60Hz)	Resistance Tol.±10% (Ohms)	Maximum Pick Up Voltage (V)	Minimum Drop Out Voltage (V)	Coil Nominal Voltage (VDC)	Resistance Tol.±10% (Ohms)	Nominal Current (mA)	Maximum Pick Up Voltage (V)	Minimum Drop Out Voltage (V)
220/240	16,000	176.0	66.0					

## CONTACT RATING

3335-1-H	Resistive (Cos.θ = 1)	AC 240V / DC 30V	5A	UL
		AC 240V / DC 24V	5A	TUV
	Inductive (Cos.θ = 0.4)	AC 240V	3A	TUV

## DIMENSIONS(±0.2mm)



## GENERAL DATA

Insulation Resistance	1,500 MΩ Min. (DC 500V)
Dielectric Strength	750 VAC, 50/60Hz between contact.
	1,500 VAC, 50/60Hz between all elements.
Contact Material	Agcdo Alloy.
Contact Resistance	100 milliohms max. ( initial value )
Shock Resistance	Malfunction: 10G(11ms) ; Destructive: 100G(6ms)
Vibration Resistance	Malfunction: 10 to 55 Hz. at Double Amplitude of 1.5 mm
	Destructive: 10 to 55 Hz. at Double Amplitude of 1.5 mm
Operation Time	15 ms max.
Release Time	15 ms max.
Temperature Range	- 40°C ~ + 60°C
Expected Life	With operation rate 30/min.
	Mechanical - 10,000,000 operations min. Electrical - 100,000 operations min. at rated load.
Weight	37 grams