

- ☆High Repetivity : 0.2% of F.S. Max.
- ☆Reset Time : 0.1S Max.
- ☆Setting Accuracy : 5 % of F.S. Max.
- ☆CE Approved : EMC , ESD & LVD
- ☆Guiding of Model :

3357 A

① ②

① : Series

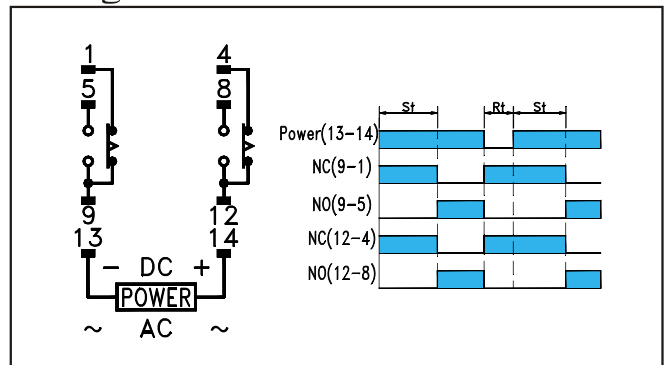
② : Operating Voltage / Range



Specification

MODEL	3357-□
Power Supply / Range	A : 12V 30S G: 12V 60M B : 24V 30S H: 24V 60M C : 110V 30S I: 110V 60M D : 220V 3S J: 220V 60M E : 220V 30S K: 24V 60S F : 110V 3S
Wattage Consump.	3VA max.
Control Output	Relay
Contact Rated	7A/250VAC
Repetivity	0.2% of F.S max.
Setting Accuracy	5% of F.S max.
Reset Time	0.1S max.
Insulation Strength	100MΩ/500VDC
Dielectric Strength	2.5KV/1 min.
Circumstance	-20°~ +60°C, 35~85%RH
Life of Relay	20 X 10 ⁶ Times

Timing Chart Connection & Tim



Dimension

