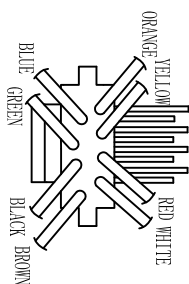
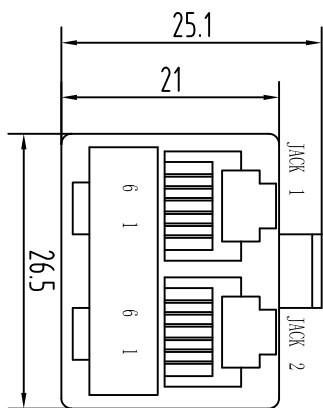
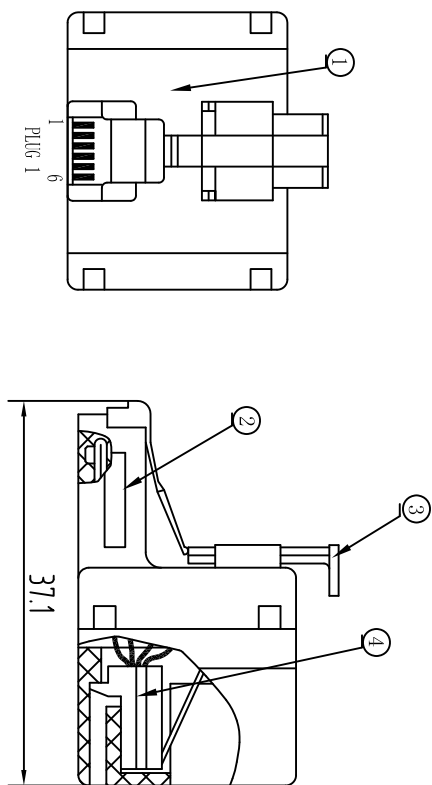


REVISION RECORD MODIFICATIONS		DATE	REV.
Δ	NEW	2011/01/19	A/0

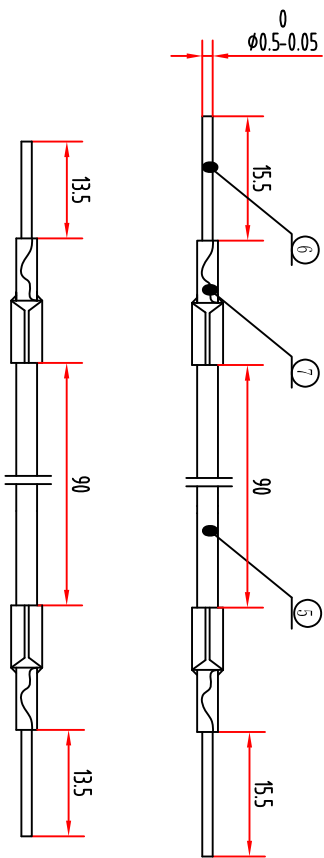


WIRING DIAGRAM

JACK 1 (6P4C)

PLUG 1 (6P4C)

JACK 2 (6P4C)

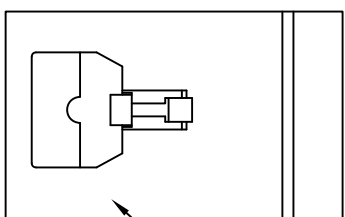


BROWN, BLACK, GREEN, BLUE

WHITE, RED, YELLOW, ORANGE

1	ORANGE	1	ORANGE	1
2	BLUE	2	BLUE	2
3	YELLOW	3	YELLOW	3
4	GREEN	4	GREEN	4
5	RED	5	RED	5
6	BLACK	6	BLACK	6
7	WHITE	7	WHITE	7
8	BROWN	8	BROWN	8

PACKING



MATERIAL LIST:

⑧	PE BAG	SPECIFICATINO: 80*130*0.03MM	1	
⑦	ADAPTER SLEEVE	CU	16	
⑥	GOLD SILK	CU PLATE GL0D 3U"	16	
⑤	LINE	OD: 0.98 COLOR: BROWN, WHITE, BLACK, RED, YELLOW, GREEN, ORANGE, BLUE	8	
④	L45 LOCK CORE	ABS COLOR: IVORY	2	
③	LEVER	ABS COLOR: IVORY	1	
②	FRONT COVER	ABS COLOR: IVORY	1	
①	BACK COVER	ABS COLOR: IVORY	1	
NO.	MAT. NAME	DESCRIPTION	QTY	REMARK

- NOTES:
1. Electrical testing: 100%
 2. Visual inspection: 100%
 3. ROHS Compliant

大廣有限公司 DA KOANG CO., LTD.

PRODUCT NAME	2151B
VIEW	
TOLERANCE	X ±1.00 X.X ±0.50
APPORBY	MM

DRAWNBY	CHECKBY	APPROBY	UNITT	MM
		HanTongXia	Blatt-Nr.	1/1