

A

B

C

D

E

1

1

2

2

3

3

4

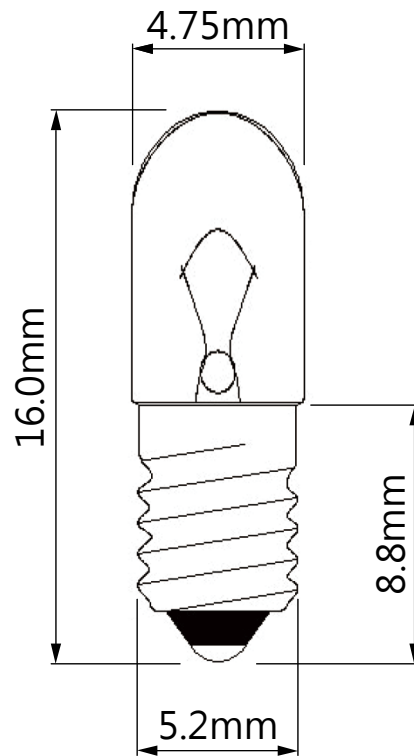
4

5

5

6

6



PROD. NO. 8021
 A : DC6V 50MA
 B : DC12V 50MA
 C : DC24V 50MA

大廣有限公司 DA KOANG CO., LTD.

DATE

DWN

CHKD

APVD

MANAGER

12.08.2005

PART NAME: MIDGET SCREW LAMP E-5

PART NUMBER: 8021

VERSION:2.0

TOLERANCE :±0.3mm UNLESS OTHERWISE SPECIFIED

UNIT:mm



SCALE:

A

B

C

D

E

7

7