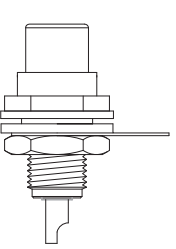
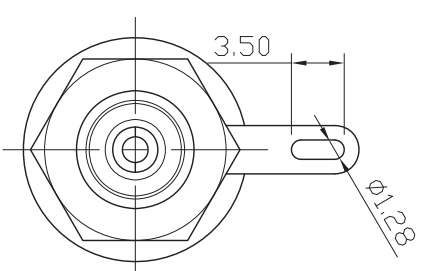
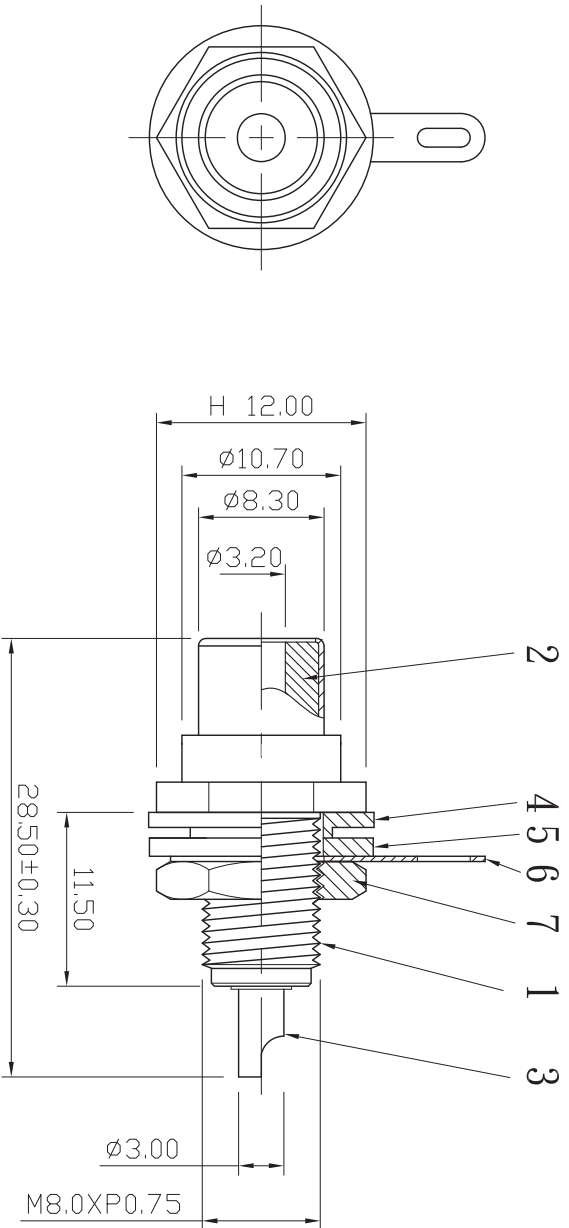


REMARK : RoHS REQUIREMENT APPLIED  
(符合RoHS)



S 1 : 1

7	hexagon nut	1	brass	gold		DIMENSIONS ARE IN MILLIMETERS UNLESS OTHERWISE SPECIFIED TOLERANCES (一般公差) 0.5-6 = ±0.2 >6-30 = ±0.4 >30-120 = ±0.6 >120-315 = ±1 >315-1000 = ±1.6 ANGLES(角度) = 45°	APPROVED	大廣有限公司 DA KOANG CO., LTD.  TITLE RCA JACK  DRAWING NO. 2013	
6	solder tab	1	bronze	gold			CHECKED		
5	washer	1	plastic	white			DRAWN		
4	washer	1	plastic	white			DATE		
3	contact pin	1	brass	gold			2008. 08. 07		
2	insulator	1	POM	red/black/blue white/yellow/green			FILE NO.		
1	body	1	brass	gold			DRAWING NO.		
NO.	Description	Unit	Materials	Finish	Drawing No.	SCALE	2 : 1	UNIT	MM