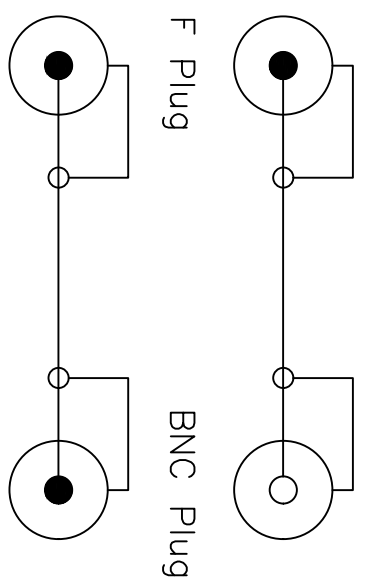


Soldered Drawing:



L±50

TOLERANCE	SIGNATURES	DATE
0 - 10 10 - 99 100 - 999 1000 - 9999 10000 - 99999	±0.05 ±0.5 ±10.0 ±100.00 ±1000.00	11.06.08
	DRAFT: ZHOU XIN GUO	
	CHECKED: XU FU YOU	

大 廣 有 限 公 司
DA KOANG CO., LTD.

REV	PART NO. & SAMPLE NO.	BY	TITLE	CUSTOMER
1	6195		2.1DC Plug+BNC Plug To 2.1DC Jack+BNC Plug	
2				

TOLERANCE	SIGNATURES	DATE
0 - 10 10 - 99 100 - 999 1000 - 9999 10000 - 99999	±0.05 ±0.5 ±10.0 ±100.00 ±1000.00	11.06.08
	DRAFT: ZHOU XIN GUO	
	CHECKED: XU FU YOU	

大 廣 有 限 公 司
DA KOANG CO., LTD.