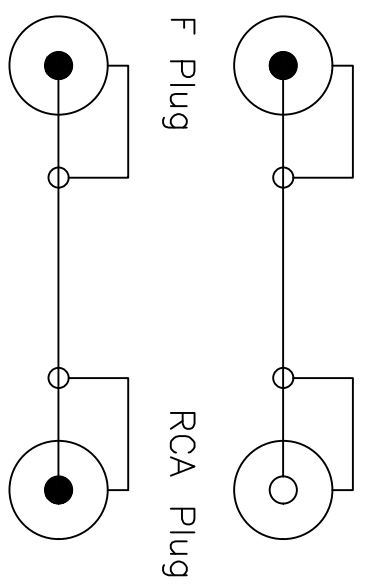


Soldered Drawing:

2.1*5.5mm DC Plug 2.1*5.5mm DC Jack



| TOLERANCE | SIGNATURES | DATE |
|--|---|----------|
| 0 - 10 10 - 99 100 - 999 1000 - 9999 10000 - 99999 | ±0.05 ±0.5 ±10.0 ±100.00 ±1000.00 | 11.06.08 |
| | DRAFT: ZHOU XIN GUO | |
| | CHECKED: XU FU YOU | |

大 廣 有 限 公 司
DA KOANG CO., LTD.

| REV | PART NO. & SAMPLE NO. | BY | SCALE | UNIT | REV | TITLE | CUSTOMER |
|-----|-----------------------|----|-------|------|-----|----------------------|----------|
| 1 | 6201 | | 1:1 | mm | ∅ | 2.1DC Plug+F Plug To | |
| 2 | | | | | | 2.1DC Jack+RCA Plug | |