

Technology Specification

1、Electric Performance:

Rated Voltage/Current:

250V/125V, 10A/15A

Protection Degree: IP00级

Operation Cycles: CQC、TUV 10000

VDE、UL 100000

Resistance of Contact: $\leq 50m\Omega$

Resistance of Insulated: $\geq 100M\Omega$

Test Voltage: $\geq 1500V/1min$ (Normality)

2、Relevant Standards

UL873, CSA C22. 2 NO 24-93

EN 60730-1 2012-10

EN 60730-2-9:2011-07

GB14536. 1-2008 idt IEC 60730-1-2008

GB14536. 10-2008 idt IEC 60730-2-9-2010

3、Certificate No:

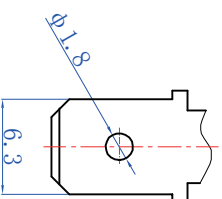
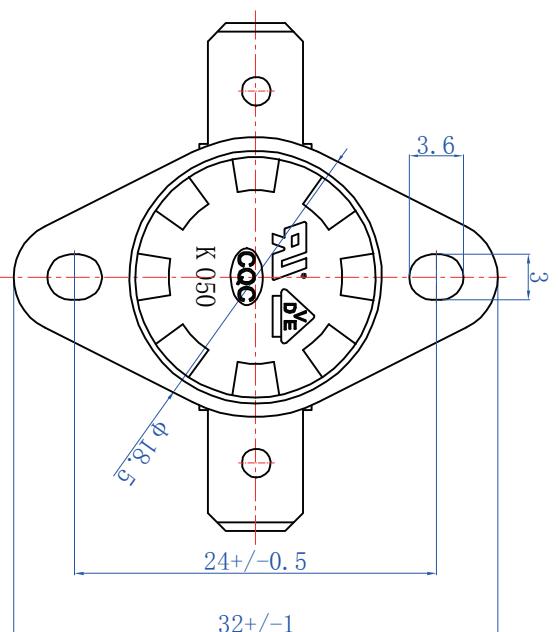
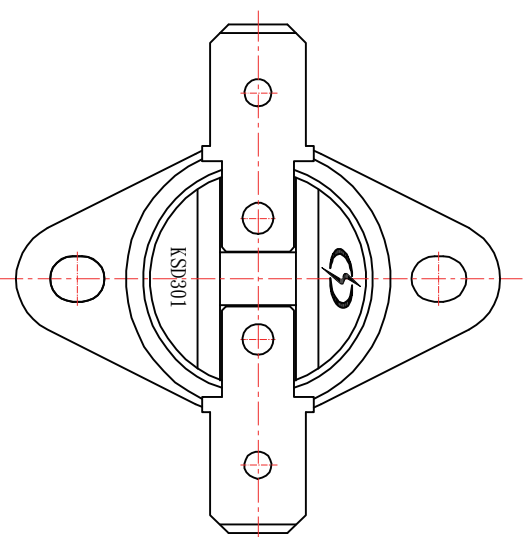
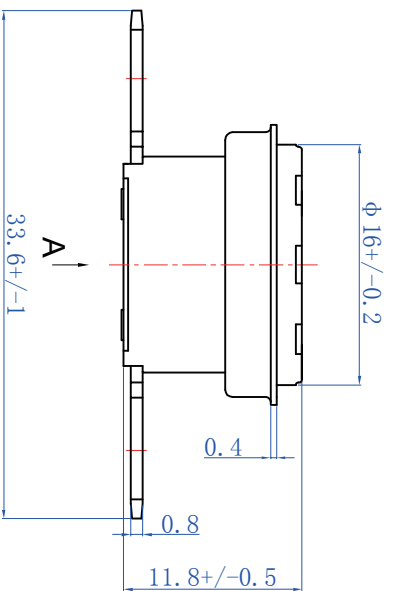
✓ CQC: CQC04002009128 (Phenolic)

TUV: 50035898

✓ VDE: 40020934

✓ U L: E251340

4、CUSTOMER: WY.



Cart. NO	9R3_050/103PAK/22XB/RQIG-W*	Model	5107K	
Auto/Manual reset	Auto reset	Name	Thermostat	
NO temperature	50+/-3°C	Code		
Off temperature	40+/-3°C			
Bracket	Movable bracket	Material	Ceramic body	
Terminal size	6.3 *0.8	Total	1/1	Edition A/1
Designed by	刘春青 2017-02-15	大 廣 有 限 公 司 DA KOANG CO., LTD.		
Checked by				
Approved by	胡群雄 2017-02-15			
Date				

SIGNATURE	APPROVED BY	CUSTOMER
-----------	-------------	----------