

A

B

C

D

E

1

2

3

4

5

6

1

2

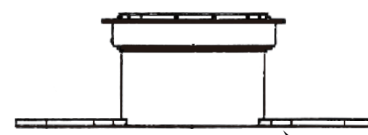
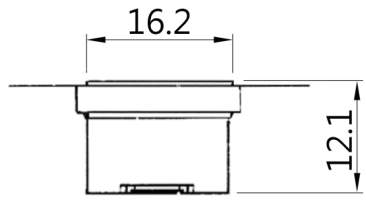
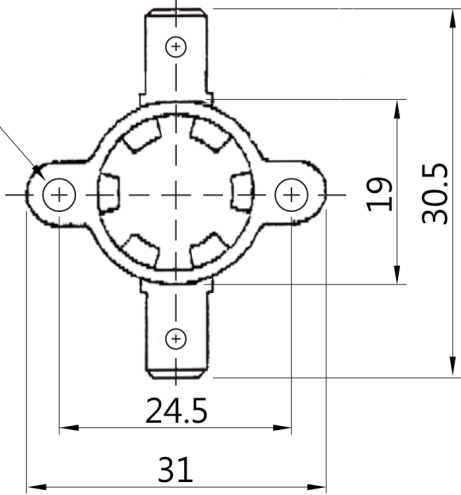
3

4

5

6

3.2 x 3.7 Hole



1/4" Quick connect positive lock

Rating : AC125V 15A/AC250V 10A
 Off temperature : 120°C
 On temperature : 100°C

大廣有限公司 DA KOANG CO., LTD.

DATE

DWN

CHKD

APVD

MANAGER

12.08.2005

PART NAME: THERMOSTAT

PART NUMBER: 5112H

VERSION:2.0

TOLERANCE :±0.3mm UNLESS OTHERWISE SPECIFIED

UNIT:mm



SCALE:

A

B

C

D

E

7

7