

A

B

C

D

E

1

1

2

2

3

3

4

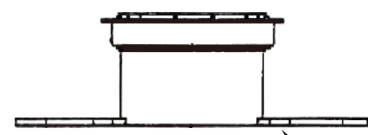
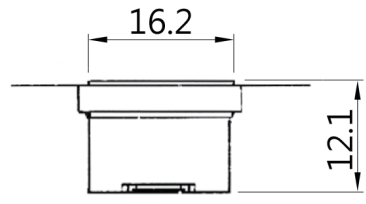
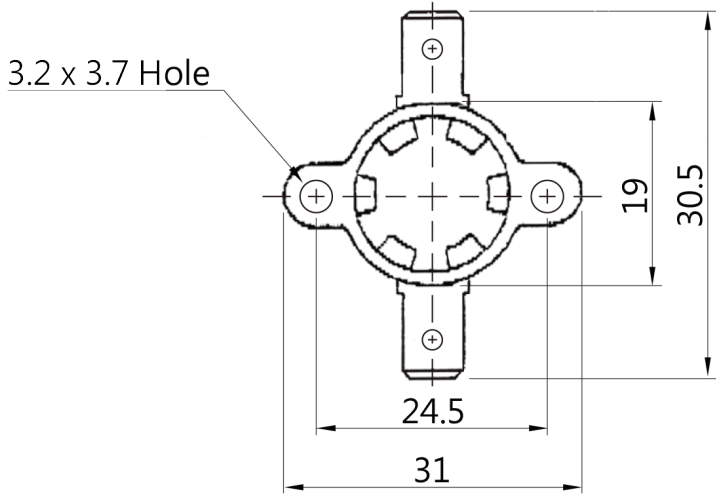
4

5

5

6

6



1/4" Quick connect positive lock

Rating : AC125V 15A/AC250V 10A  
 Off temperature : 130°C  
 On temperature : 110°C

7

7

大廣有限公司 DA KOANG CO., LTD.

DATE

DWN

CHKD

APVD

MANAGER

12.08.2005

PART NAME: THERMOSTAT

PART NUMBER: 5112I

VERSION:2.0

TOLERANCE :±0.3mm UNLESS OTHERWISE SPECIFIED

UNIT:mm



SCALE:

A

B

C

D

E