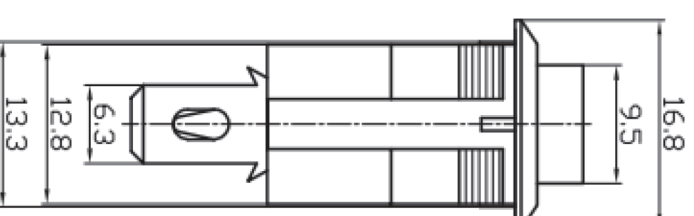
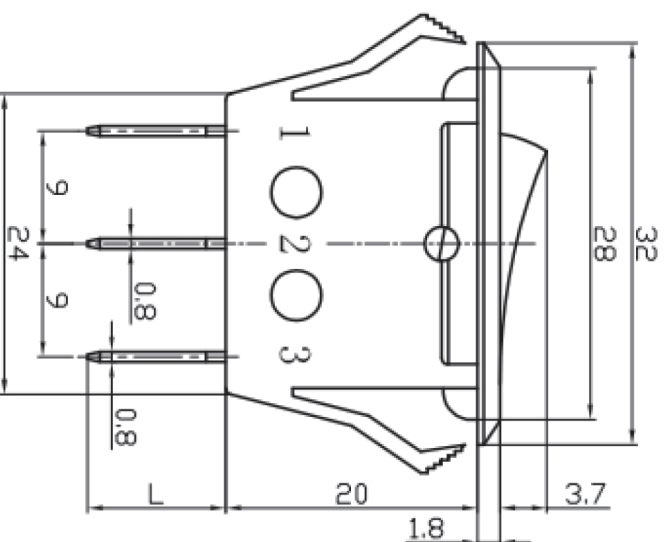
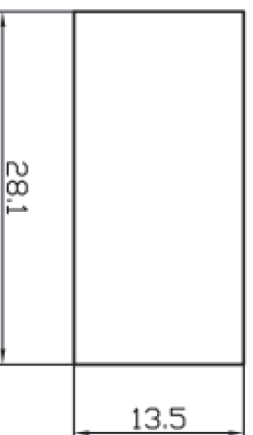


大 廣 有 限 公 司 DA KOANG CO., LTD.

Model No: 5081



Specification

Rating : 10A 250V AC / 20A 12V DC

Contact resistance: 《100mΩ

Withstand voltage:1500V,AC/min

Insulation resistance:》 100mΩ

Dielectric intensity:》 1500V AC/min

Temperature: -25~85°C

Mechanical life:》 20000 times

Electrical life :》 10000 times

1	cap	PC	1
2	Lamp house	POM	1
3	Lamp	Neon lamp	1
4	Housing	PA66	1
5	Contact	Copper	2
6	Contact strip	Copper	1
7	Spring	Carbon steel wire	1
8	Terminal	Copper	3
No	Part	Material	Qty