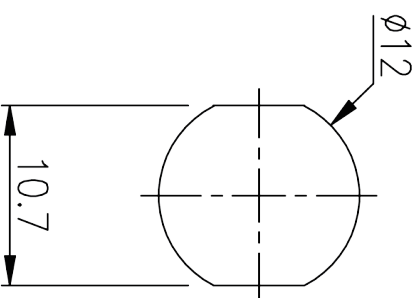
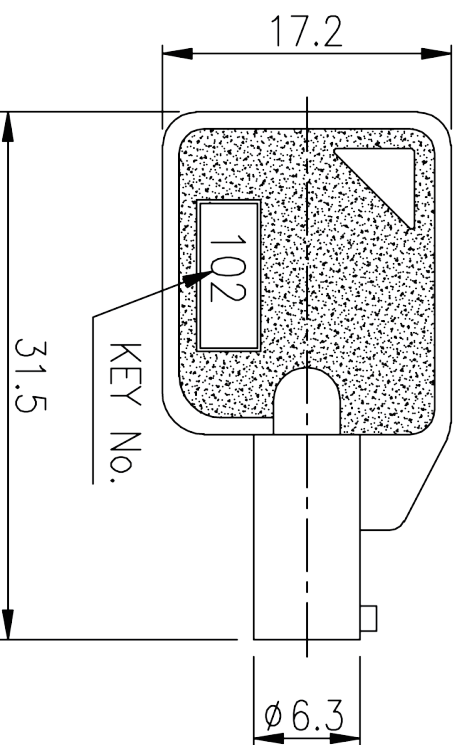


NOTES :

- . Zinc alloy die cast housing and cylinder.
- . Barrel chrome plated standard.
- . No pin tumbler mechanism.
- . Zinc alloy tubular keys, barrel chrome plated.
- . Key withdrawals in both positions only.
- . Silver plated contacts and terminals.
- . 2 position (off-on) 2 terminals.
- . Hex nut or speed clip mounted.
- . 1 combination only.
- \* Meet with ROHS.



Recommended hole size

DESCRIPTION	KEYLOCK SWITCH	
PART NO.	5056	
MATERIAL		
NOTE		

APPROVED BY		CHECKED BY		DRAWN BY	
-------------	--	------------	--	----------	--

TOLERANCES	±0.1	±0.05	±0.03	±0.02	±0.01
	±0.2	±0.1	±0.05	±0.03	±0.01
	±0.5	±0.2	±0.1	±0.05	±0.01
	±1.0	±0.5	±0.2	±0.1	±0.05
	±2.0	±1.0	±0.5	±0.2	±0.1

大廣有限公司 DAKOANG CO., LTD.

REV. NO.	COORDINATES	WAS	NEW	DATE	BY	REV.	A	WT.	g	DATE	01.11.11
----------	-------------	-----	-----	------	----	------	---	-----	---	------	----------