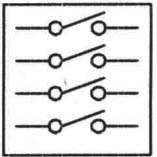
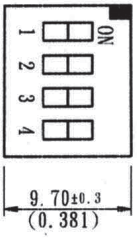
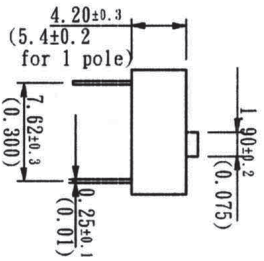
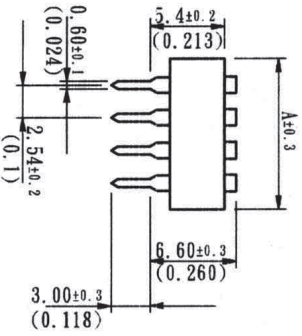
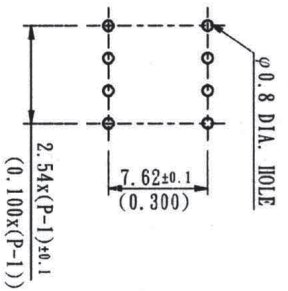


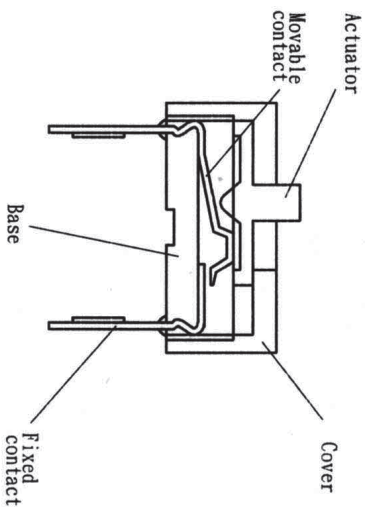
5109 SPST DIMENSIONS Unit: mm(inch)



P. C. B LAY OUT



CONSTRUCTION



Dimension A

Positions	F	G	H	A	5	B	7	C	9	D	E	15
A	3.9 (0.154)	6.7 (0.264)	9.2 (0.362)	11.7 (0.461)	14.2 (0.559)	16.7 (0.657)	19.2 (0.756)	21.7 (0.854)	24.2 (0.953)	26.7 (1.05)	31.8 (1.25)	39.5 (1.555)

NOTE: The dimensions of the 1 pole switch may vary slightly.

NOTE: 1, 2 & 3 pole switches don't have the "ECE" Mark

NOTE: The "T" dimension of the 1 position switch (right angle type) is 2.5±0.2mm

NO.	DETAILS	ALTERED BY	DATE	CHECK	GARY DESIGN	GOLDEN DRAWN	GOLDEN	PART NUMBER	MATERIAL	NORMAL TOLERANCE RANGE	TOLERANCE	UNIT	MM (INCH)	PART NAME	TYPE	FILE NAME	SPST	
																		SCALE
										0 - 1	±0.1							
										1 - 4	±0.3							
										4 - 16	±0.5							
										16 - 63	±0.8							
										63 - 250	±1.0							