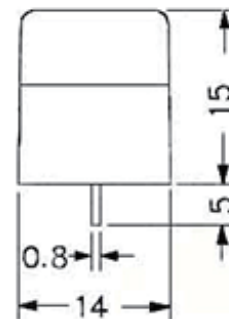
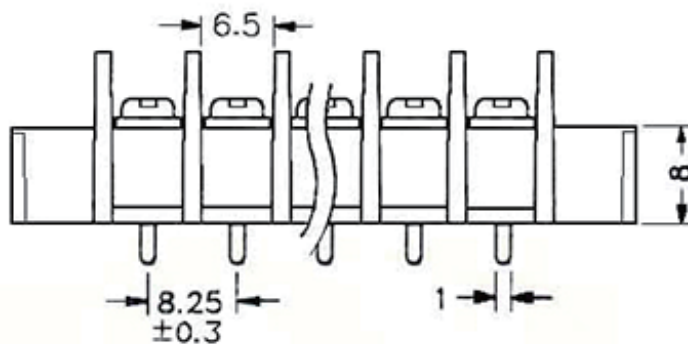
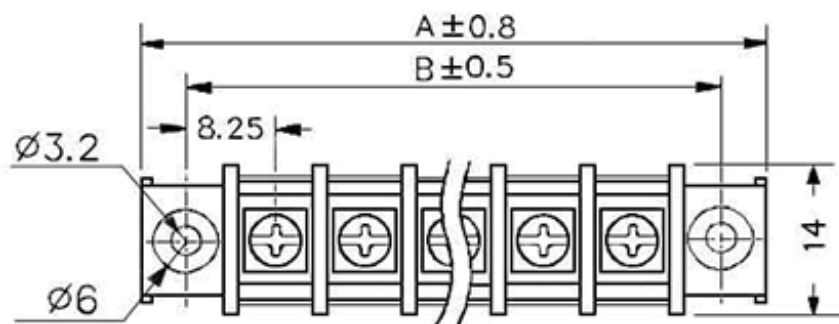
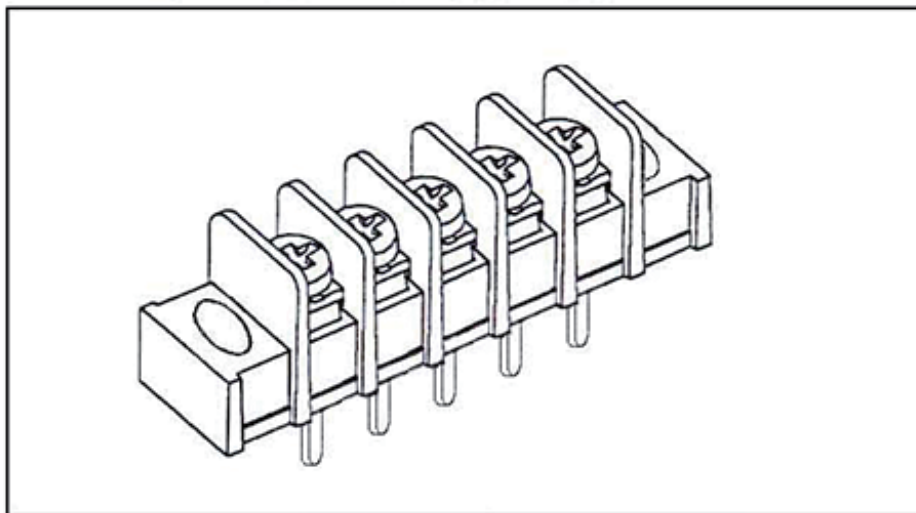


大廣有限公司 DA KOANG CO., LTD.  
 ITEM NO. 3046A SERIES PITCH 8.25mm



DIMENSION: mm PITCH 8.25mm

POLE	2	3	4	5	6	7	8	9	10	11	12	13	14	15	16	17
A±0.8	33.15	41.4	49.65	57.9	66.15	74.4	82.65	90.9	99.15	107.4	115.65	123.9	132.15	140.4	148.65	156.9
B±0.5	24.75	33	41.25	49.5	57.75	66	74.25	82.5	90.75	99	107.25	115.5	123.75	132	140.25	148.5

POLE	18	19	20	21	22	23	24	25	26	27	28	29	30	31	32
A±0.8	165.15	173.4	181.65	189.9	198.15	206.4	214.65	222.9	231.15	239.4	247.65	255.9	264.15	272.4	280.65
B±0.5	156.75	165	173.25	181.5	189.75	198	206.25	214.5	222.75	231	239.25	247.5	255.75	264	272.25

NUMBER OF POLE 02 ~32

SPECIFICATIONS

- Rated: 15A 300VAC
- Insulation Withstands Voltage: AC 2000 V/min
- Insulation Resistance: 1000MΩ or More at DC500V
- Using Temperature Range: -40 °C ~ +120 °C
- Screw Torque Value: 10 Kg-cm
- Wire Range Awg: 14 - 22 STR
- Insulator Body : Plastic NYLON 66
- Terminals: Brass, Tin Plated 0.8t
- Terminal Screws: M3 Nickel Plated Steel