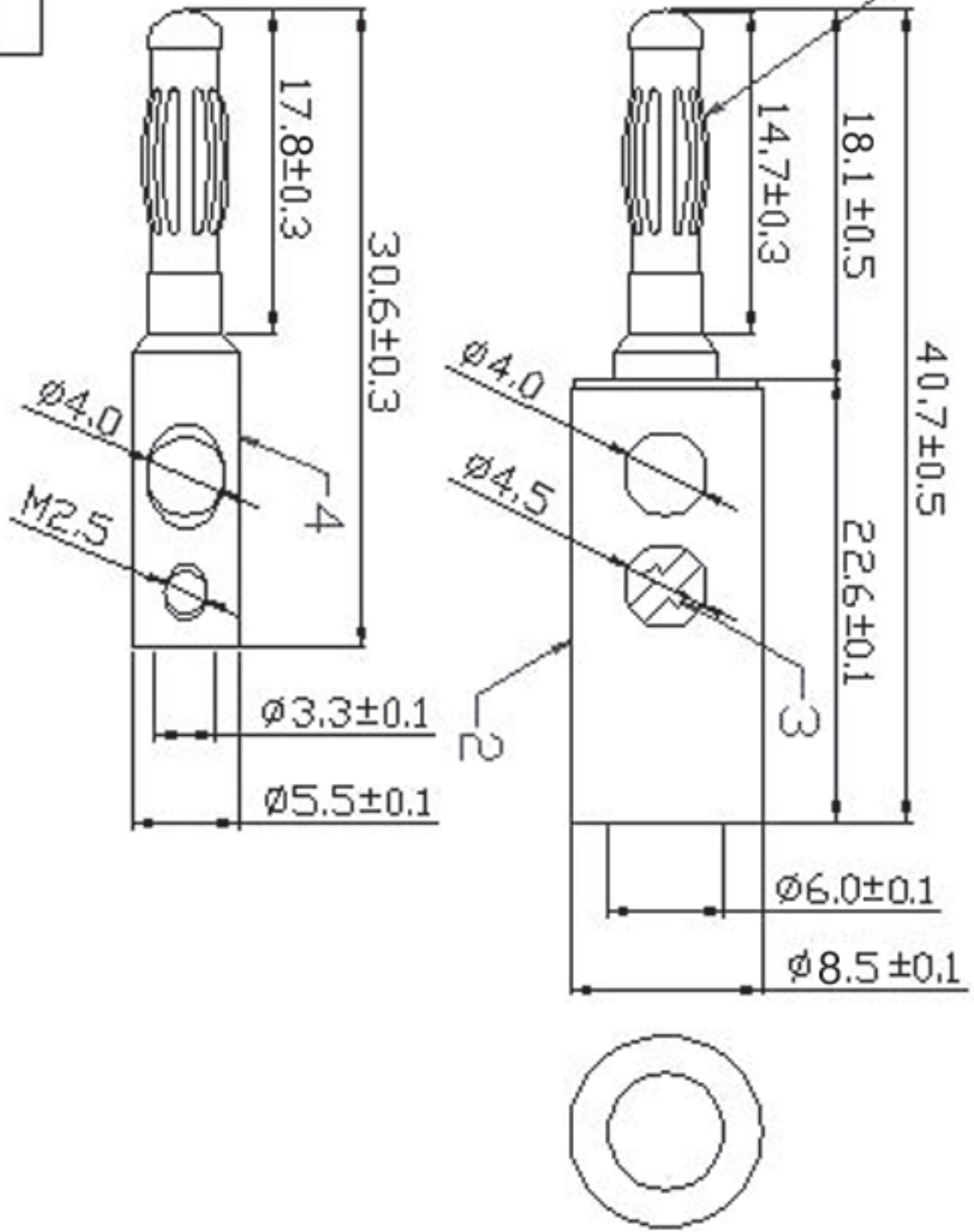


(Nine leaf slice) 1



4	BODY	Fe
3	SCREW	Fe
2	SHELL	ABS
1	BANANA HEAD	Cu

ITEM	DESIGNATION	MATERIAL
REV.	ECO	PART NO.
AO		1007
B		

TOLERANCE	SIGNATURES	DATE
1 - 10 10 - 20 20 - 30 30 - 40 40 - 50 50 - 60 60 - 70 70 - 80 80 - 90 90 - 100	DRAFT: YangYongRui CHECKED: HuGongXue	05.12.14

TOLERANCE		SHEET		SCALE		UNIT		REV.		TITLE	
OF		1:1		MM		φ		Banana Plug(Red/Black)		DA KOANG CO., LTD.	

大廣有限公司
DA KOANG CO., LTD.