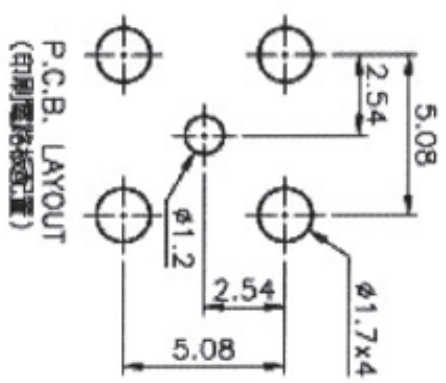
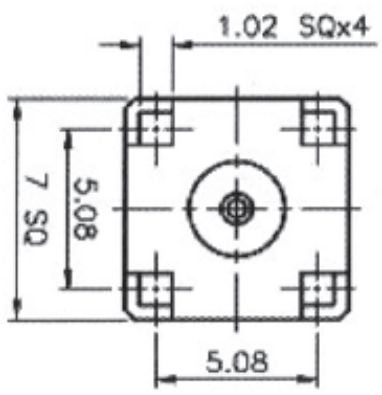
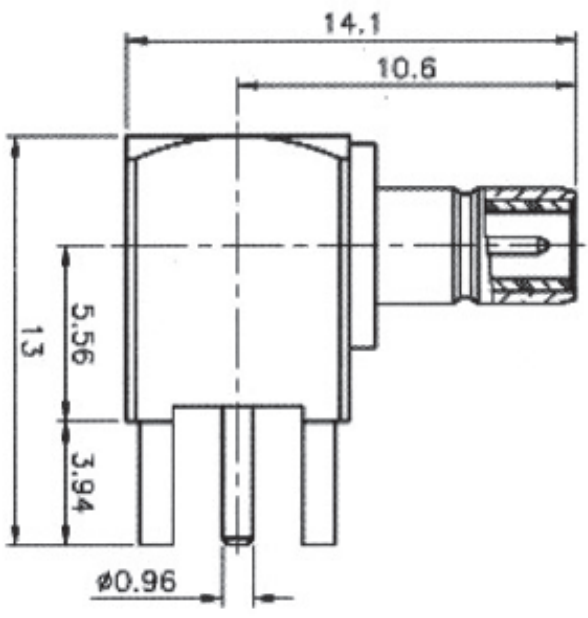


ISS SYMBOL	REVISIONS	DESCRIPTION \ DATE

REMARK: RoHS REQUIREMENT APPLIED (符合 RoHS) FOR CUSTOMER



- NOTES: FINISH (PLATING THICKNESS IN MICRO-INCHES)
1. BRASS PER QQ-B-628
 2. GOLD PL 3 MIN OVER NICKEL PL 70 MIN THICK OVER COPPER STRIKE
 3. GOLD PL 30 MIN OVER NICKEL PL 70 MIN THICK OVER COPPER STRIKE
 4. TEFLON MIL-P-19458

NO.	DESCRIPTION	MATERIAL	FINISH	QTY	DRAWING NO.	SCALE	4/1	ISSUE	A1	PART NO.	DATE	TITLE
	INSULATOR		NOTE 4 WHITE			UNLESS OTHERWISE SPECIFIED TOLERANCES (公差) 0.5~6 = ±0.2 >6~30 = ±0.4 >30~120 = ±0.6 >120~515 = ±1 >515~1000 = ±1.6 ANGLES(角度) = 45°				APPROVED	12/14/05*	大慶有限公司 DAKOANG CO., LTD.
	INSULATOR		NOTE 4 WHITE				CHECKED	12/14/05*				
	BODY		NOTE 1 NOTE 2				DRAWN	12/14/05*				
	CONTACT PIN		NOTE 1 NOTE 3									
	CUBE BODY		NOTE 1 NOTE 2									
												DRAWING NO. 1428A
												FILE NO. Z:\NO\BA\9112\83\002\BGTG-A18