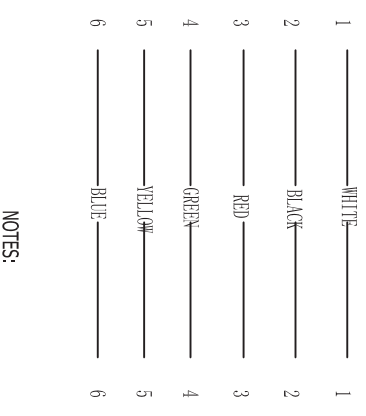
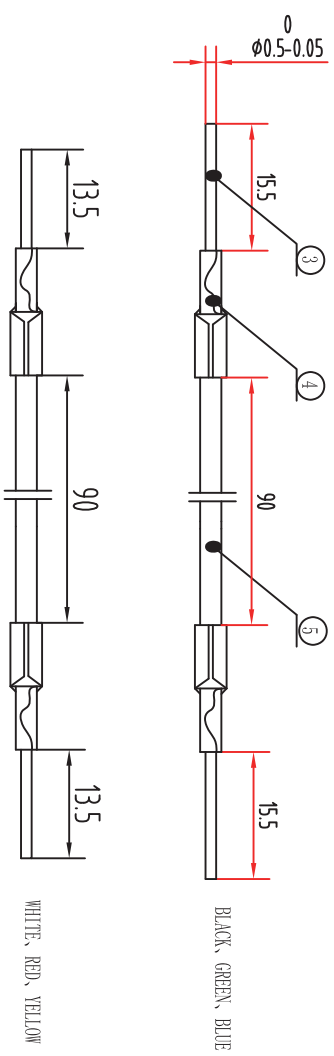
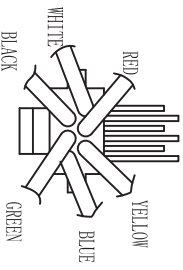
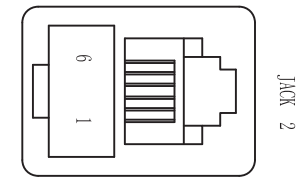
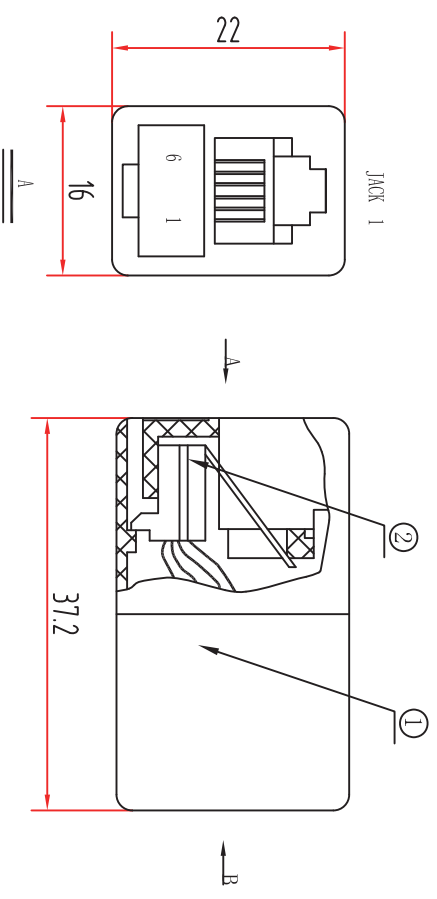


REVISION RECORD MODIFICATIONS		DATE	REV.
NEW		2011/01/19	A/0



- NOTES:
1. Electrical testing:100%
 2. Visual inspection:100%
 3. ROHS Compliant

MATERIAL LIST:

⑤	LINE	OD: 0.98 COLOR: WHITE, BLACK, RED, YELLOW, GREEN, BLUE		6		大 廣 有 限 公 司 DA KOANG CO., LTD.				
④	ADAPTER SLEEVE	CU		12		DRAW NO.	PRODUCT NAME	2156A		
③	GOLD SILK	CU	PLATE GL0D 3U"	12		CUSTOMER			VIEW	TOLERANCE
②	145 LOCK CORE	ABS	COLOR: IVORY	2		ITEM NO.				K, X, X ±1.00 ±0.50
①	KDI-6P Molded case	ABS	COLOR: IVORY	1		DRAWNBY	CHECKBY	APPROBY		UNIT
NO.	MAT. NAME	DESCRIPTION		QT' Y	REMARK			HanYongXia	Blatt-Nr.	MM
										1/1