

A

B

C

D

E

1

2

3

4

5

6

1

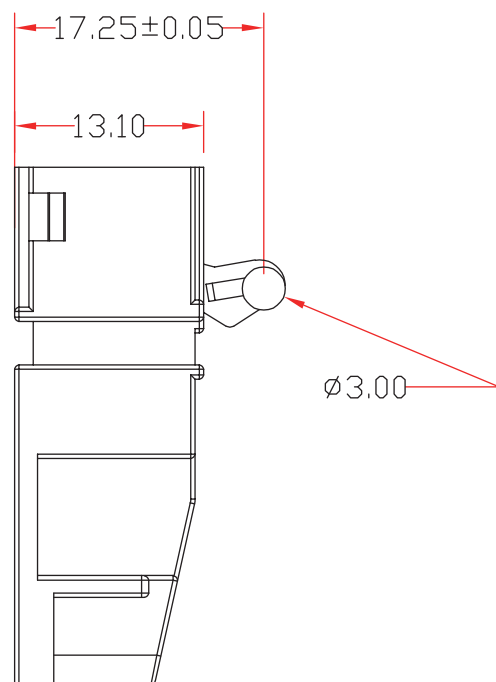
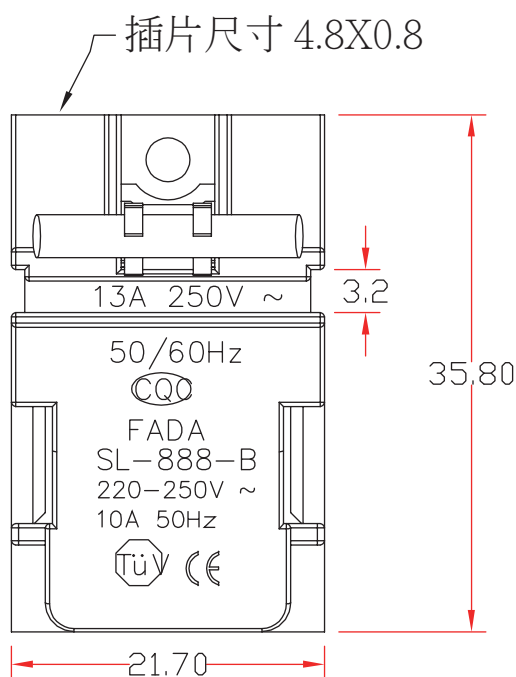
2

3

4

5

6



大廣有限公司 DA KOANG CO., LTD.

DATE

DWN

CHKD

APVD

MANAGER

12.08.2005

PART NAME: TEMPERATURE CONTROL OF ELECTRIC KETTEL

PART NUMBER: 5269A

VERSION:2.0

TOLERANCE :±0.3mm UNLESS OTHERWISE SPECIFIED

UNIT:mm



SCALE:

A

B

C

D

E

7

7