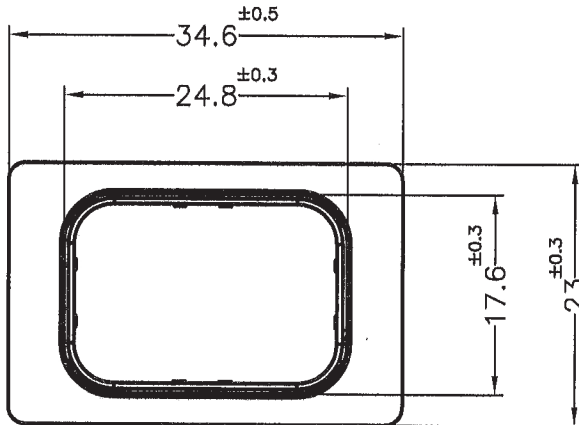
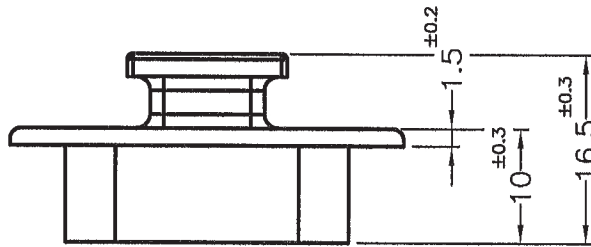
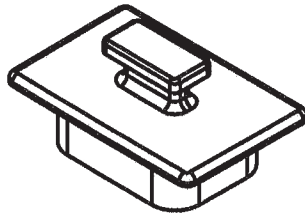
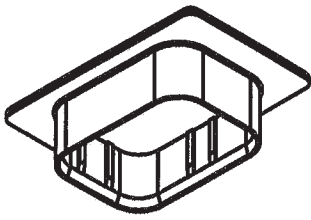


REVISIONS			
REV	DESCRIPTION	DATE	BY



NOTE:1. SHRINKING IS NORMAL STATUS.
 內縮為正常現象
 2. MADE OF EQUIVALENT MATERIAL.
 均可使用同等材質

大廣有限公司 DA KOANG CO., LTD.				TITLE	POWER CONNECTOR COVER	SPEC. DWG.	
				MATERIAL	PE	DATE	2016.01.06
PART NUMBER 3396				FINISH		DRAWN	C. S. L
				COLOR	BLACK	CHECK	
SIZE	SCALE	UNIT	REV	UNLESS OTHERWISE SPECIFIED TOLERANCE	SEE ABOVE	APPROVED	
A4	3:2	mm	A				