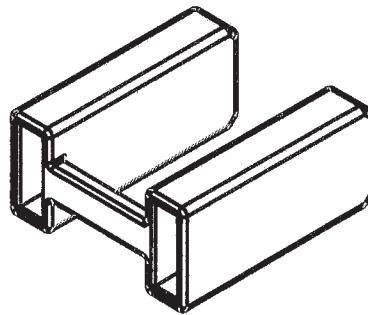
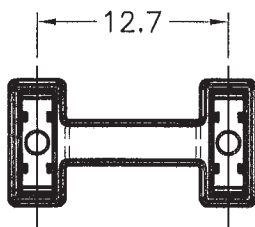
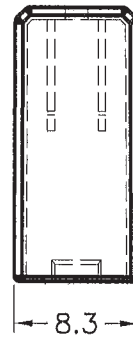
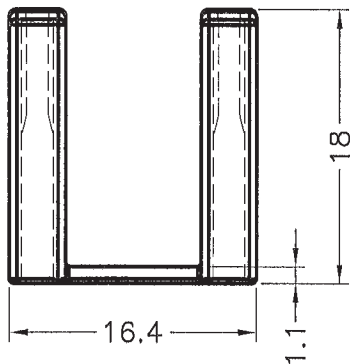


DIM.	TOL.
L ≤ 10	±0.2
10 < L ≤ 30	±0.3
30 < L ≤ 50	±0.5
50 < L ≤ 100	±0.7
100 < L ≤ 250	±1.2
ABOVE 250	±1.5

REVISIONS			
REV	DESCRIPTION	DATE	BY



NOTE: MADE OF EQUIVALENT MATERIAL.
 可使用同等材質。

大廣有限公司 DA KOANG CO., LTD.		TITLE POWER PLUG COVER		SPEC. DWG.	
		MATERIAL PP		DATE 2015.04.27	
PART NUMBER 3399A		DRAWING NUMBER		DRAWN T.C	
SIZE A4		UNIT mm		CHECK Kenny	
SCALE 2:1		REV A		APPROVED <i>Koang</i>	
		UNLESS OTHERWISE SPECIFIED TOLERANCE SEE ABOVE			