

**SPECIFICATION:**

耐電壓 Withstand voltage: AC 500V 60HZ for

1 minute

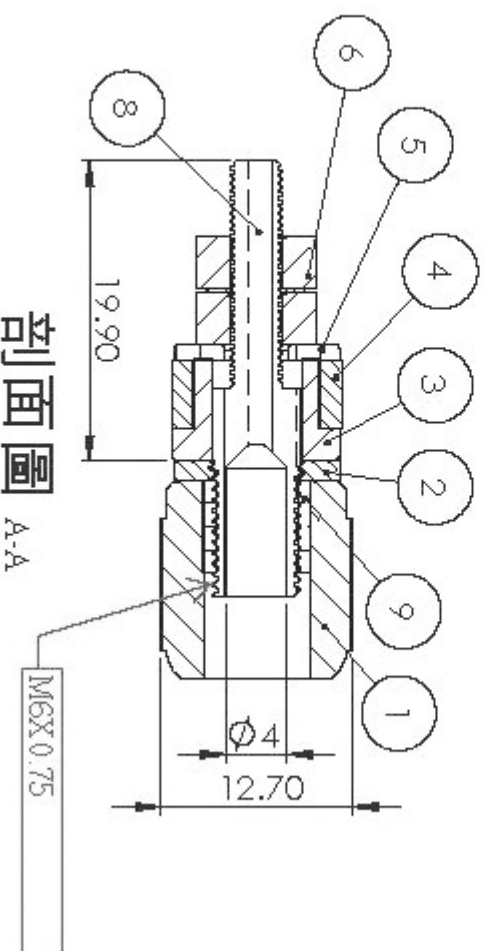
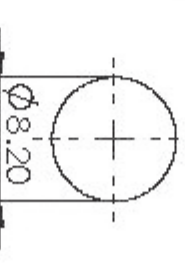
絕緣阻抗 Insulation resistance : 100MΩ (min)

at 500V DC

接觸阻抗 Contact resistance : 50mΩ max

定格 Rating: 1.0A 125V/AC

**MOUNTING HOLE**



**剖面圖**

A-A

**COLOR:**

RED(RD) /BALCK(BK) /BLUE(BU) /GREEN(GN) /YELLOW(Y)

|    |                 |              |                     |     |
|----|-----------------|--------------|---------------------|-----|
| 9  | Knob Nut        | BRASS(C3604) | BRASSY              | 1   |
| 8  | Body            | BRASS(C3604) | NICKEL              | 1   |
| 7  | Solder Contact  | BRASS(C2680) | NICKEL              | 1   |
| 6  | Nut             | STEEL 1008   | NICKEL              | 2   |
| 5  | Washer          | STEEL        | NICKEL              | 1   |
| 4  | Bottom          | ABS (PA757)  | RD紅/BK黑/BU藍/GN綠/YE黃 | 1   |
| 3  | Top             | ABS (PA-757) | RD紅/BK黑/BU藍/GN綠/YE黃 | 1   |
| 2  | Washer w/thread | BRASS(C2680) | NICKEL              | 1   |
| 1  | Knobs           | ABS (PA-757) | RD紅/BK黑/BU藍/GN綠/YE黃 | 1   |
| NO | PART NAME(品名)   | MATERIAL(材質) | FINISHED(外觀)        | QTY |

表面處理 比例尺 Scale 繪圖 DRAW BY 同號

版本 VERSION 2:1 換 CHUN-TE WANG

單位 UNIT 單位 APPROVED BY 日期 DATE

1 mm YACHAN WANG 2019/8/14

大廣有限公司  
DA KOANG CO., LTD.

|       |                                 |    |                               |  |
|-------|---------------------------------|----|-------------------------------|--|
| 品名 規格 | 3111A                           | 備註 | No asscessory<br>No Approvals | TOLERANCES   |
| 品名 規格 | 4MM BINDING POST<br>GOLD PLATED |    |                               | 0.5MM±0.2MM<br>5MM±0.2MM<br>30MM±1.0MM<br>120MM±3.5MM<br>315MM±1.000MM<br>1000MM±2.000MM |