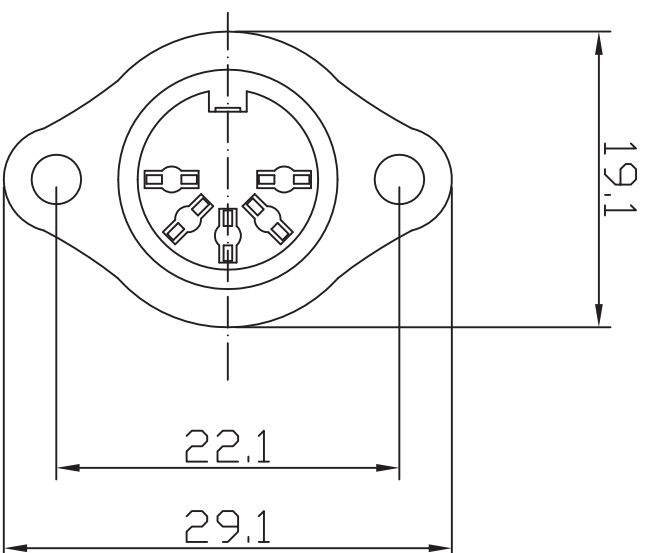


- SPECIFICATIONS:**
- 1.RATING:100V AC AT 1A or 12V DC 2A MAX
 - 2.INSULATION RESISTANCE: 100M OHM MIN. AT 500V DC
 - 3.DIELECTRIC STRENGTH: 250V AC FOR ONE MINUTE
 - 4.VOLTAGE WITHSTANDING: AC 1000V FOR ONE MIN.
 - 5.INSERTION FORCE: 4.0KG MAX.
 - 6.WITHDRAWAL FORCE: 1-3.5KG.
 - 7.CONTACT RESISTANCE: LESS THAN 30m OHM.
 - 8.Operation Temperature : 5°C~70°C
 - 9.LIFE CYCLE: 5000~10000TIMES



- MATERIALS:**
- 1.SOCKET CASE:SPCC-SD 0.4t NICKEL PLATED
 - 2.INSULATOR:P.B.T
 - 3.EARTH TERMINAL:PBSR-H 0.25t TIN PLATED
 - 4.CONTACT PIN: BRAS 0.7t SILVER PLATED
 - 5.RIVET: AL NICKEL PLATED

3P 180°	5P 180°	7P 270°	8P 270°

大 廣 有 限 公 司 DA KOANG CO., LTD.		PART NUMBER	
TOLERANCES		2004 SERIES	
.X ± 0.38	.XXX ± 0.15	DESCRIPTION	
.XX ± 0.25	ANGLES	DIN SOCKET	
DRAFT	SCALE	REV.	
W.RAY	112916'	E	
CHECK	JANNE HUNG	SHEET	
APPROVAL	DANNY HSU	1/1	