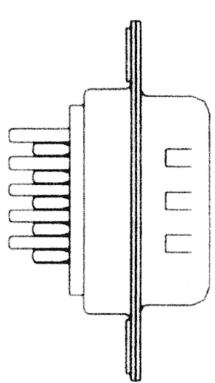
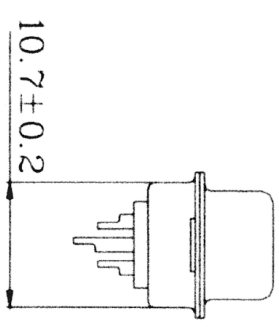
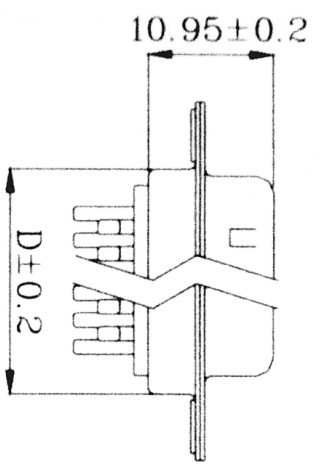


### Male Dimensions

No. Of Contacts	A	B	C	D
15	30.80	25.10	16.80	19.20



大廣有限公司 DAKOANG CO., LTD.

PART NAME: HDDB 15P MALE D-SUB CONNECTOR

PART NUMBER: 9003A

VERSION: 4.0

DATE	DWN	CHKD	APVD	MANAGFR
12.26.2011				

TOLERANCE : ±0.3mm UNLESS OTHERWISE SPECIFIED

UNIT: mm



SCALE:

1 2 3 4 5 6 7