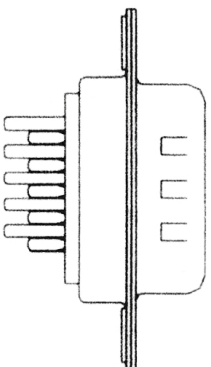
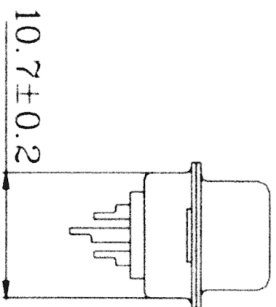
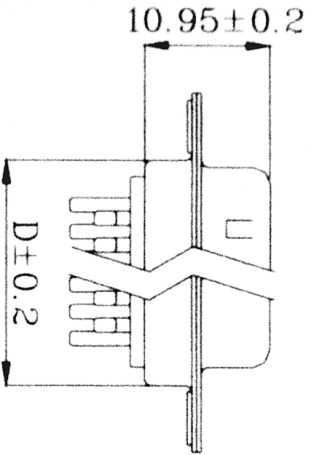


### Female Dimensions

No. Of Contacts	A	B	C	D
15	30.80	25.10	16.80	19.20



大廣有限公司 DAKOANG CO., LTD.

DATE	DWN	CHKD	APVD	MANAGFR
12.26.2011				

PART NAME: HDDB 15P FEMALE D-SUB CONNECTOR

PART NUMBER: 9003B

VERSION:4.0

TOLERANCE :±0.3mm UNLESS OTHERWISE SPECIFIED

UNIT:mm



SCALE: