

1

2

3

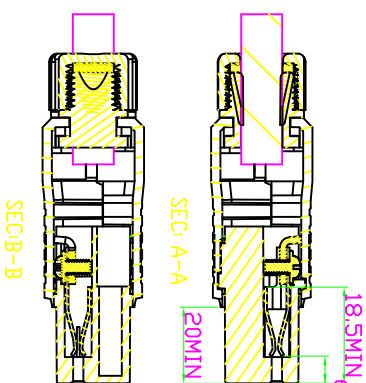
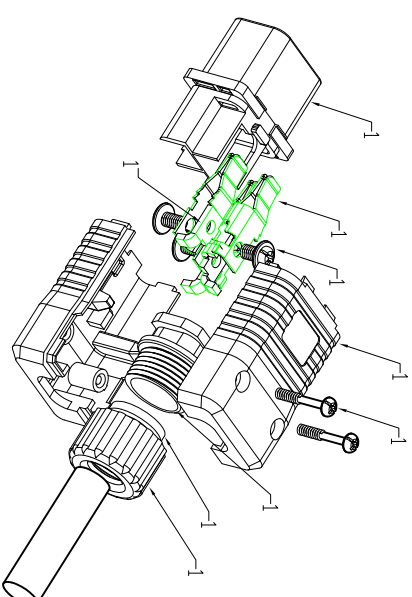
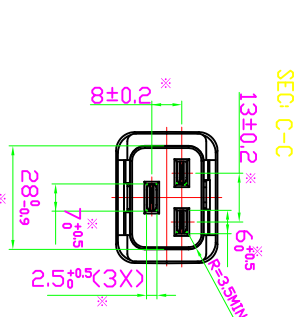
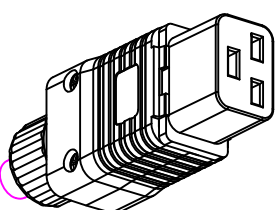
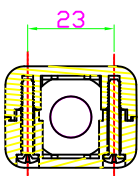
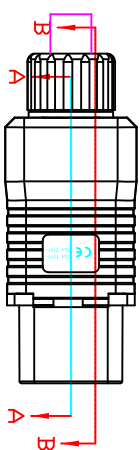
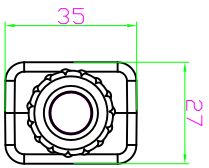
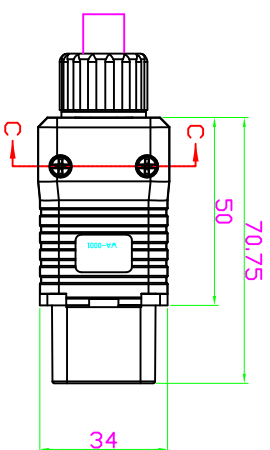
4

5

6

7

ROHS/REACH COMPLIANT



SECI-B-B

NOTES:

1. IEC EN 60320 C19 Rewireable Socket.
2. CURRENT RATING: 16A, Terminal material Brass.
3. VOLTAGE RATING: 16A@250V For European Standard
4. Rated 20A@125V For America Standard
4. WIRE SIZE: max: 3G 2.5mm<sup>2</sup> or SJT 3\*AWG12
5. With two locking screws.
6. COLOR: Black

未注明公差指定 (单位:mm)	
0-5	±0.2
5-15	±0.3
15-30	±0.5
30-100	±0.8
100-300	±1.0
300-1000	±1.2

CE Certified

2001A-1

Sku. No.

Date

Name

2001A-1

Dec:12,2011

N.Xu

Short Description:

IEC 320 C19 Rewirable Connector

Checked by

Confirmed by

Dec:12,2011

N.X.

SCALE:

N/A

UNIT:

MM

PAGE:

1 of 1

大廣有限公司  
DA KOANG CO., LTD.

1

2

3

4

5

6

7

rev01