

DESCRIPTION:

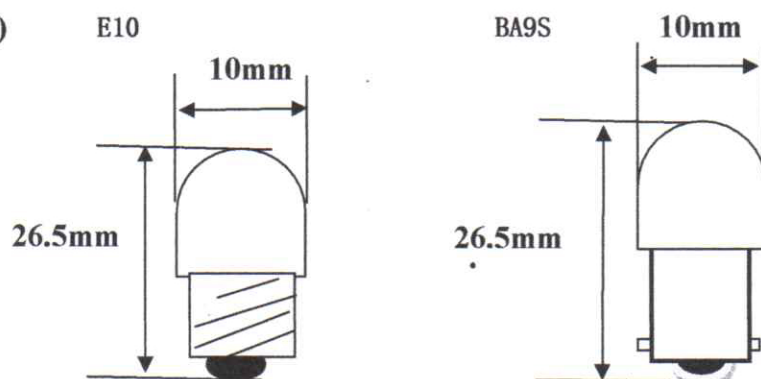
(A) Electronics And. Optical Characteristics: Ta=25°C

Part Number	Emitting Color	Forward Voltage Unit:V	electric current :mA	Power:w	Dominant Wavelength Unit:nm	Totally Luminous Intensity Unit:LM	Color Temperature Unit:K
T10-BA9S/E10-2R	Red	12/24	10 ± 2	0.3	620-630	3	≤1500
T10-BA9S/E10-2Y	Yellow	12/24	10 ± 2	0.3	587-595	3	≤1500
T10-BA9S/E10-2G	Ultra Green	12/24	10 ± 2	0.3	515-525	10	7400
T10-BA9S/E10-2B	Blue	12/24	10 ± 2	0.3	460-470	5	≤2500
T10-BA9S/E10-2W	White	12/24	10 ± 2	0.3	X:0.29Y:0.28	17	8500
T10-BA9S/E10-2WW	Warm White	12/24	10 ± 2	0.3	X:0.29Y:0.28	16	2800-3000

IR max:0.01mA;VR=5V

Figure:

2835(SMD)



(B) Absolute Maximum Ratinge AT Ta=25°C

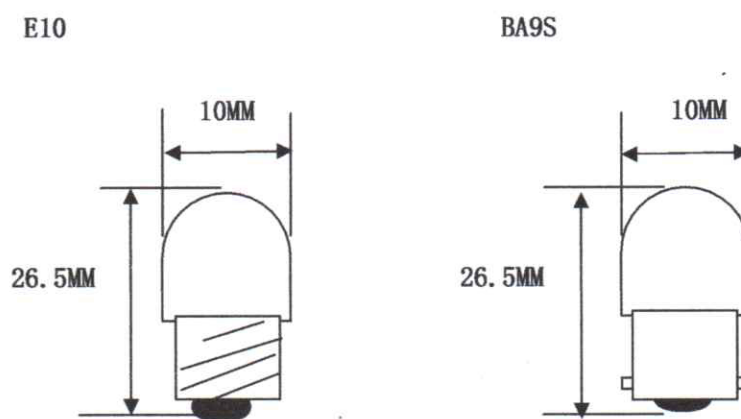
PARAMETER	MAX	UNIT
Continuous Forward Current	25	mA
Peak Forward Current (1/10Duty Cycle 0.1ms Pulse Width)	100	mA
Reverse Voltage	5	V
Operating Temperature Range	-30°C to +85°C	
Storage Temperature Range	-40°C to +100°C	
Lead Solder Temperature 1.6mm Below Package 260°C For 5seconds		

Part Number	Emitting Color	Forward Voltage Unit:V	electric current :mA	Power:w	Dominant Wavelength Unit:nm	Totally Luminous Intensity Unit:LM	Color Temperature Unit:K
T10-BA9S/E10-2R	Red	110/220V	10 ± 2	0.5	620-630	3	≤1500
T10-BA9S/E10-2Y	Yellow	110/220V	10 ± 2	0.5	587-595	3	≤1500
T10-BA9S/E10-2G	Ultra Green	110/220V	10 ± 2	0.5	515-525	10	7400
T10-BA9S/E10-2B	Blue	110/220V	10 ± 2	0.5	460-470	5	≤2500
T10-BA9S/E10-2W	White	110/220V	10 ± 2	0.5	X:0.29Y:0.28	17	8500
T10-BA9S/E10-2WW	Warm White	110/220V	10 ± 2	0.5	X:0.29Y:0.28	16	2800-3000

IR max:0.01mA;VR=5V

Figure:

2835(SMD)



(B) Absolute Maximum Ratinge AT Ta=25°C

PARAMETER	MAX	UNIT
Continuous Forward Current	25	mA
Peak Forward Current (1/10Duty Cycle 0.1ms Pulse Width)	100	mA
Reverse Voltage	5	V
Operating Temperature Range	-30°C to +85°C	
Storage Temperature Range	-40°C to +100°C	
Lead Solder Temperature 1.6mm Below Package 260°C For 5seconds		